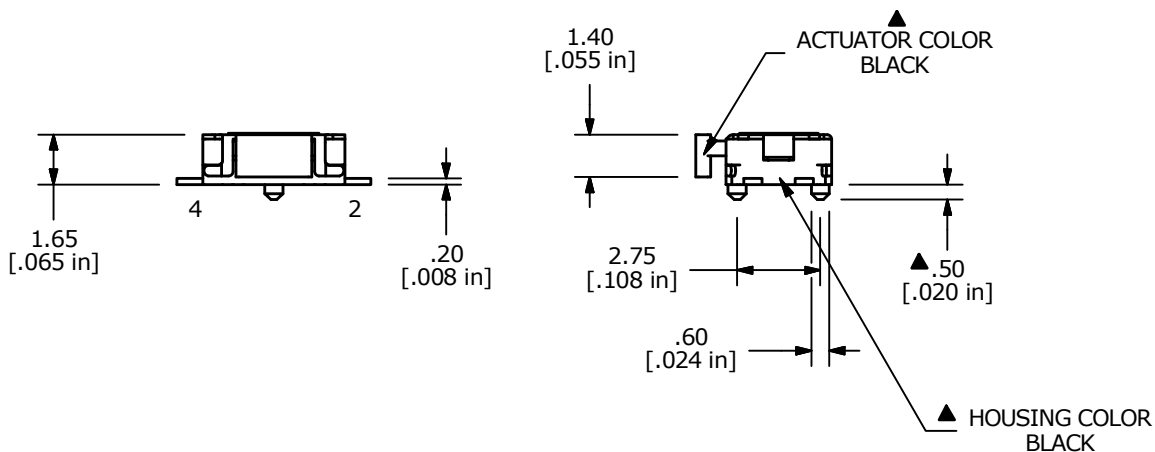


CIRCUIT: SPST

NOTES:

1. ALL DIMENSIONS IN MM
2. GENERAL TOLERANCE: X.X=±0.4  
X.XX=±0.25
3. TERM. NOS. FOR REFERENCE ONLY.
4. RATING: 12VDC, 50mA
- ▲ 5. OPERATING FORCE: 160 ± 50 gms
- ▲ 6. TRAVEL: 0.25mm +0.1/-0.2
7. CONTACT RESISTANCE: 100 MILLI OHMS MAX. (INITIAL)
8. MECHANICAL/ELECTRICAL LIFE 200,000 CYCLES MIN.
9. PACKAGE: TAPE AND REEL - 3300 PIECES PER REEL
10. ▲ DENOTES CRITICAL PARAMETER
12. 2002/95/EC (ROHS) COMPLIANT.



C	21953	Housing Color to Black	8/14/15	MW
B	21652	Added Mylar pickup tape	10/22/14	rc
A	21348	INITIAL RELEASE	1/9/14	EBP
REV	PCR NO	DESCRIPTION	DATE	BY



TITLE TL1014BF160QGBLKACT				
SCALE 4:1	DATE 1/9/2014	DR EBP	DWG P410004	REV C

THE INFORMATION CONTAINED IN THIS DOCUMENT IS PROPRIETARY TO E-SWITCH AND IS NOT TO BE COPIED OR TRANSFERRED